



# NEW HOLLAND

## L150



- PATENTED SUPER BOOM, VERTICAL LIFT
- OPTIMUM STABILITY
- EXCEPTIONAL ALL-ROUND VISIBILITY
- OUTSTANDING ACCESSIBILITY FOR MAINTENANCE AND SERVICE



**NEW HOLLAND**

**CONSTRUCTION**

**BUILT AROUND YOU**

# L150 UNIQUE FE

## PATENTED "SUPER BOOM" UNIQUE TO NEW HOLLAND.

**P**atented "Super Boom" is unique to New Holland L skid-steers.

Compared with traditional radial lift loader arms, "Super Boom" has advantages that include better forward reach, a lower pivot point for improved visibility and a much lower centre of gravity and better weight distribution between the front and rear wheels.

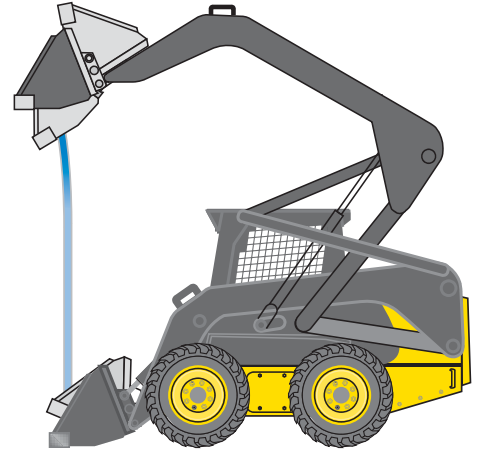
**F**or bucket and grapple work, you simply can't beat "Super Boom" patented, vertical lift linkage.

With "Super Boom", the higher you lift the load the further forward you can place it, so you get excellent reach at maximum dump height.

Bucket remains level for less spillage.

Proven technology. Innovative design. Quality build.

Typically New Holland.



## ENJOY THE VIEW

**A**s all Holland skid-steers, L150 has a big rear window, a low engine hood and no rear frame towers, so you get a great view out the back. The low boom cross member lets you see the cutting edge of your bucket with the boom lowered.

And the metal screens on your right and left offer outstanding protection along with excellent visibility.

## SOLID, STABLE, HIGHLY MANOEUVRABLE.



**A** skid-steer loader has to be able to turn within its own length, but it also needs to be stable. Stable enough to give operators the confidence to quickly exploit the machine's full lift capacity. New Holland L skid-steer loaders have a long wheelbase and an exceptionally low centre of gravity. Compared with a traditional skid-steer, L150 Super Boom skid-steer is:

- **More stable when raising full loads to maximum height**
- **More comfortable over rough ground**
- **More secure on side slopes**
- **More productive in difficult conditions**
- **More in tune with operators' needs**

# FEATURES

## MAIN SPECIFICATIONS



### PERFORMANCE

**L150**

SAE operating load (kg) .....	<b>612</b>
Tipping load (kg) .....	1166
Bucket breakout (kg) .....	1590
Boom breakout (kg) .....	1089
Boom lift time - loaded (sec) .....	3.3
Boom lower time - empty (sec) .....	1.9
Bucket dump time - loaded (sec) .....	1.1
SAE operating weight (kg) .....	2045
Transport weight less bucket (kg) .....	1854



### HYDRAULIC SYSTEM

Pump type .....	<b>Gear</b>
Pump capacity (l/min) .....	45
Max. pressure (bar) .....	172
Hydraulic oil capacity (l) .....	18.9



### ENGINE

Engine power SAE (kW/hp) .....	<b>27/37</b>
Make / Model .....	ISM/N843H
Displacement (l) .....	1.5
Cylinders (n°) .....	3
Diesel tank capacity (l) .....	33

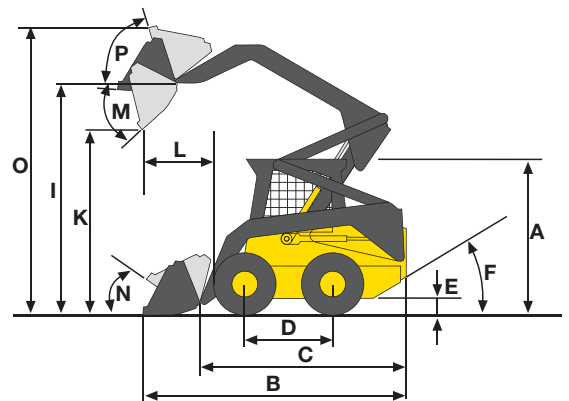
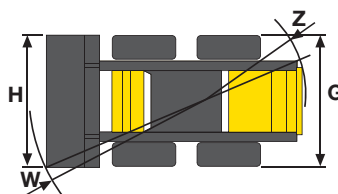


### TRANSMISSION

Type .....	<b>Hydrostatic</b>
Pumps and motors .....	Axial pistons
Max low/high speed (km/h) .....	-/11.7



## MAIN DIMENSIONS



	A	B	C	D	E	F	G	H	I	K	P	M	N	W	Z	L	O
	mm	mm	mm	mm	mm	(°)	mm	mm	mm	mm	(°)	(°)	(°)	mm	mm	mm	mm
<b>L150</b>	1865	3035	2445	950	198	25	1490	1525	2905	2322	83	45	36	1790	1430	536	3560

# ATTACHMENTS L150

An extensive range of attachments is available to maximise the versatility of your New Holland skid steer loader, each attachment designed to be the perfect match for your machine. For further information, contact your New Holland dealer.



AT YOUR OWN DEALERSHIP

The information contained in this brochure is intended to be a general nature only. The NEW HOLLAND KOBELCO CONSTRUCTION MACHINERY S.p.A. company may at any time and from time to time, for technical or other necessary reasons, modify any of the details or specifications of the product described in this brochure. Illustrations do not necessarily show products in standard conditions. The dimensions, weights and capacities shown herein, as well as any conversion data used, are approximate only and are subject to variations within normal manufacturing techniques.

Published by NEW HOLLAND KOBELCO CONSTRUCTION MACHINERY S.p.A.  
Printed in Italy - LEADER Firenze - Cod. 73301 437GB - Printed 11/07

Printed on recycled paper  
CoC-FSC 000010 CQ Mixed sources



ELEMENTAL  
CHLORINE  
FREE  
GUARANTEED



BUILT AROUND YOU

[www.newholland.com](http://www.newholland.com)